

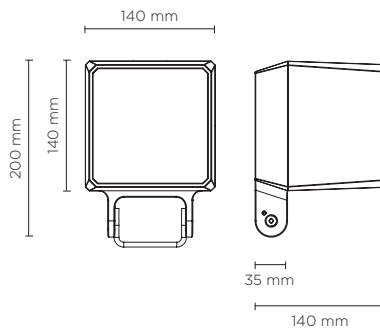


101606RGBW

# QUBO MEDIUM DMX RGBW

Designed by  
NAVA + AROSIO

Floodlight for outdoor installation on a façade/wall, with U shape fixing bracket allowing vertical adjustment of +90° / -40°. Phospho-chromatised and polyester powder coated die-cast copper-free aluminium base and head, tempered safety glass, moulded silicone gaskets, with screws in stainless steel. Built-in LED driver, DMX driver integrated; with 3 x CREE "XML" RGBW LED. IP66 rating.

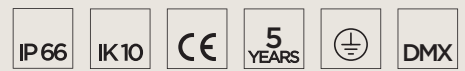


light source	light beam options	lumen output (lm)	lumin. efficacy (lm/w)
<b>RGBW</b>			
high-power led	M 12°	480	34.28
high-power led	M 25°	468	33.43
high-power led	M 35°	457	32.65

**Finish color options:**

- Textured Grey  
RAL 9006
- Anthracite Grey  
RAL 7016
- Matt Black  
(on request)

**Technical features**



**Available on request**



**Technical data**

Wattage	14 WATT
IP Rating	IP66
IK Rating	IK10
Material	High corrosion resistance die-cast copper-free aluminum body
Coating	Polyester powder coating with phosphochromating pre-finish
Light source	3 x CREE "XML" COLOR RGBW LED
Screws	Stainless steel
DMX	DMX interface integrated
Transformer	Electrical power supply 220/240V 50/60Hz built-in
Gasket	Silicone rubber
Glass	Tempered
Power cable	1 mt. power cable included
DMX cable	DMX in & DMX out cables included
Gross weight	3,10 Kg

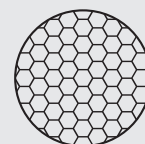
AC044  
SPIKE



AC077  
ANTI-GLARE VISOR



AC073  
HONEYCOMB LOUVER



AC038  
TREE STRAP



**DMX ACCESSORIES CONTROLLERS, SPLITTERS, ETC...**

To be defined together with puk technical department, according to project specifications and after providing installation details.



NYC Boutique