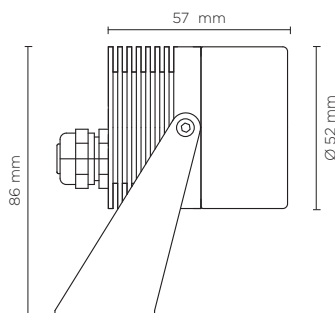




301001

## SCUBA MICRO

Small underwater projector, surface mounted, completely made in stainless steel AISI 316L, silicone o-rings, 350/500mA remote driver needed, with 1 CREE XP-G3 LED. IP 68 rating.



light source	light beam options	lumen output (lm)	lumin. efficacy (lm/w)
<b>3000°K warm-white</b>			
high-power led	10°	144	96.00
high-power led	30°	137	91.34
high-power led	45°	130	86.67
<b>4000°K neutral-white</b>			
high-power led	10°	150	100.00
high-power led	30°	143	95.34
high-power led	45°	136	90.67
<b>2700°K CCT</b> available on request			

### Finish color options:

Stainless Steel

### remote driver selection

brand	manufacturer code	type	watt	IP rate	numbers of fixtures
TCl Italy	122086	constant current 350 MA	4W	IP20	min 1 - max 2
TCl Italy	122204	constant current 350 MA/ 500 MA	25W - 35W	IP20	min 1 - max 16
Meanwell	LPC-20-350	constant current 350 MA	16.8W	IP67	min 4 - max 12
Meanwell	LPC-20-700	constant current 700 MA	21W	IP67	min 4 - max 8
Meanwell	LPF-25-48	constant current 530 MA	25W	IP67	min 10 - max 16

### Technical features



### Technical data

Wattage	1,5 WATT
IP Rating	IP68 - 3 METERS DEPTH
IK Rating	IK08
Material	Completely made in stainless steel AISI 316 L marine grade
Trim	Stainless steel AISI 316 L marine grade
Light source	NR. 1 x 1W CREE "XP-G3" LED
Screws	Stainless steel
Remote driver	350/500 mA NEEDED
Gasket	Silicone rubber
Glass	Tempered
Cable gland	M12 made in stainless steel AISI 316
Power cable	8 mt. neoprene power cable included
Adjustable through	200°
Gross weight	1,50 Kg

AC 024 - SPIKE FOR SCUBA MICRO/MINI

